

**SPECIFICATIONS:**

- **FREQUENCY:** . . . . . 0.5 GHz TO 18 GHz
- **INSERTION LOSS:** . . . . . REFLECTIVE: 3.0db  
 ABSORPTIVE: 3.75db
- **ISOLATION:** . . . . . 0.5 GHz TO 2 GHz: 80db  
 2 GHz TO 18 GHz: 70db
- **VSWR:** . . . . . REFLECTIVE IN/OUT: 2.0:1  
 ABSORPTIVE IN/OUT: 2.0:1  
 ABSORPTIVE OUT/OFF: 2.0:1
- **SPEED:** . . . . . RISE: 10ns TYPICAL, 15ns MAX.  
 FALL: 10ns TYPICAL, 15ns MAX.  
 DELAY ON: 75ns TYPICAL, 100ns MAX.  
 DELAY OFF: 75ns TYPICAL, 100ns MAX.
- **POWER INPUT:** . . . . . (CW)+20dBm (STANDARD), +10 dBm (HIGH SPEED)
- **SURVIVAL POWER:** . . . . . 1 WATT CW, 10 WATTS PEAK 1 usec
- **CONTROL:** . . . . . TTL LOGIC "0"=ON "1"=OFF
- **POWER SUPPLY:** . . . . . +5V @ 200 mA MAX.  
 -5V @ 75mA MAX.(REFLECTIVE)  
 100mA MAX.(ABSORPTIVE/NON-REFLECTIVE)

**OPTIONS:**

- INDEPENDENT CONTROL WITH SOLDER PIN STANDARD
- DEC-SP . . . . . 2 BIT DECODER WITH SOLDER PIN
  - 10M18 . . . . . 10 MHz TO 18 GHz (INSERTION LOSS INCREASES BY 1.5db AT 10 MHz AND 0.5db AT 18 GHz)
  - 100M18 . . . . . 100 MHz TO 18 GHz (INSERTION LOSS INCREASES BY 1.5db AT 100 MHz AND 0.5db AT 18 GHz)
  - 118 . . . . . 1 GHz TO 18 GHz (NO CHANGE IN INSERTION LOSS)
  - 218 . . . . . 2 GHz TO 18 GHz (NO CHANGE IN INSERTION LOSS)
  - 412 . . . . . 4 GHz TO 12.4 GHz (NO CHANGE IN INSERTION LOSS)
  - 618 . . . . . 6 GHz TO 18 GHz (NO CHANGE IN INSERTION LOSS)
  - 1218 . . . . . 12 GHz TO 18 GHz (NO CHANGE IN INSERTION LOSS)
  - 100M20 . . . . . 100 MHz TO 20 GHz (INSERTION LOSS INCREASES BY 1.5db AT 100 MHz AND 1.0db AT 20 GHz)
  - 220 . . . . . 2 GHz TO 20 GHz (INSERTION LOSS INCREASES BY 1.0db AT 20 GHz)
  - 1020 . . . . . 10 GHz TO 20 GHz (INSERTION LOSS INCREASES BY 1.0db AT 20 GHz)
  - B01 . . . . . -12V POWER SUPPLIES
  - B02 . . . . . -15V POWER SUPPLIES
  - B03 . . . . . REVERSE LOGIC "1"=ON "0"=OFF
  - B04 . . . . . DRIVERLESS, CURRENT CONTROLLED
  - B05 . . . . . HIGH SPEED, TURNON/TURNOFF 25 nsec MAXIMUM WHEN APPLICABLE
  - B06 . . . . . HIGH POWER - SPECIFY CW POWER, PEAK POWER, PULSE WIDTH, DUTY CYCLE, RF FREQUENCY AND BANDWIDTH
  - B07 . . . . . CUSTOM DESIGNED PRODUCT- SPECIFY INITIALS OF CUSTOMER
  - B08 . . . . . LOW VIDEO TRANSIENTS - SPECIFY VIDEO BANDWIDTH
  - B09 . . . . . LOW INSERTION LOSS VERSION
  - B10 . . . . . HIGHER ISOLATION VERSION
  - B11 . . . . . 0.40" THICK VERSION
  - B12 . . . . . 0.70" THICK VERSION

**ENVIRONMENTAL RATINGS:**

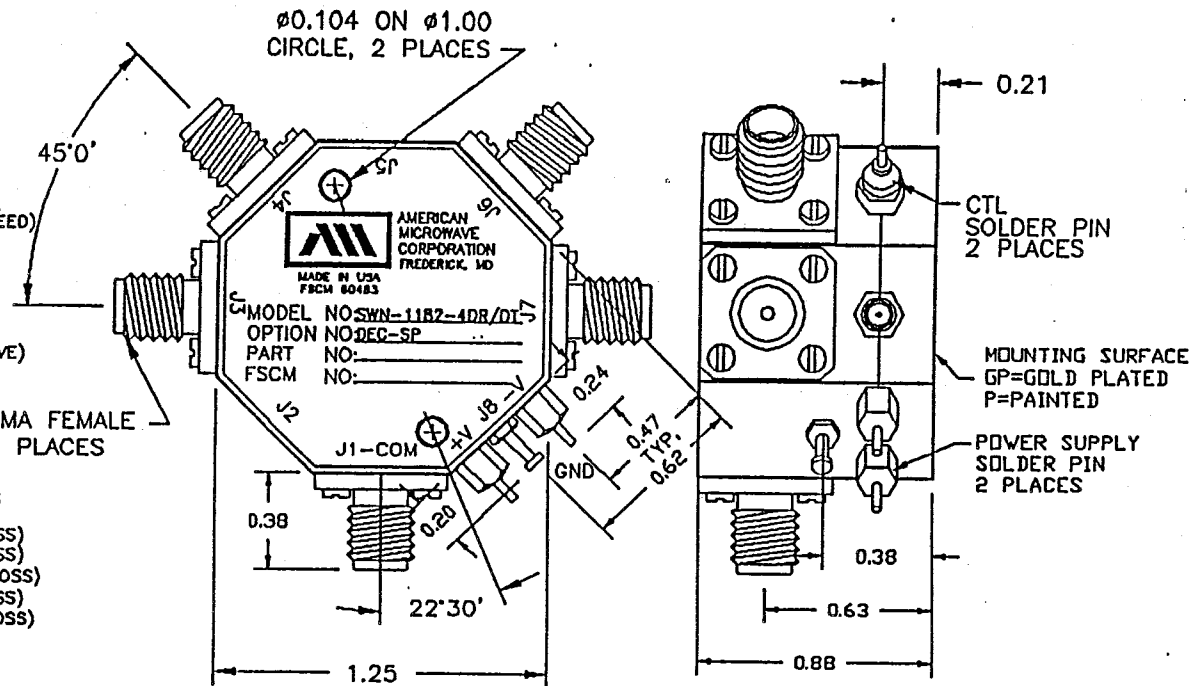
- **TEMPERATURE:** . . . . . -55°C TO +85°C (OPERATING)  
 -65°C TO +125°C (STORAGE)
- **HUMIDITY:** . . . . . MIL-STD-202F, METHOD 103B COND. B
- **SHOCK:** . . . . . MIL-STD-202F, METHOD 213B COND. B
- **VIBRATION:** . . . . . MIL-STD-202F, METHOD 204D COND. B
- **ALTITUDE:** . . . . . MIL-STD-202F, METHOD 105C COND. B
- **TEMPERATURE CYCLE:** . . . . . MIL-STD-202F, METHOD 107D COND. A

NOTE: THE ABOVE SPECIFICATIONS ARE SUBJECT TO CHANGE OR REVISION

ALL DIMENSIONS ARE IN INCHES  
 TOLERANCES:

- X.XX ±0.020
- X.XXX ±0.010

REVISIONS			
DATE	REV.	DESCRIPTION	APPROVED
8/11/97	A	ORIGINAL RELEASE	



NOTE:  
 DR=WITH DRIVER, REFLECTIVE  
 DT=WITH DRIVER, NON-REFLECTIVE/ABSORPTIVE

CONTRACT NO.		AMERICAN MICROWAVE CORPORATION FREDERICK, MARYLAND	
APPROVALS	DATE	TITLE SWN-1182-4DR/DT-DEC-SP REFLECTIVE OR NON-REFLECTIVE/ABSORPTIVE RADIAL SOLID STATE SWITCH	
DRAWN WSP	8/11/97	SIZE A	FSCM NO. 60483
CHECKED R. Moller	11/7/97	DWG NO. 100-4182-2	REV. A
ISSUED		SCALE N/S	1 of 1